



# Dual-spectrum PTZ Network Camera Series RPT664

---



## Features

1. The latest 12 $\mu$ m uncooled IR detector makes the images farther and clearer.
2. The high-definition digital camera and tele-lens make high-accuracy and long distance imaging possible for 24/7 monitoring.
3. High-speed and high accuracy PTZ, support 5 scanning styles and 17 scan tracks with speed memory.
4. The professional platform software supports intelligent infrared video analysis, which can satisfy the needs of forest fire prevention and smart fire fighting.

## Camera Specifications

| Models             |                                                            | RPT664 |
|--------------------|------------------------------------------------------------|--------|
| <b>Thermal</b>     |                                                            |        |
| Sensor Type        | VOx uncooled FPA detector                                  |        |
| Spectral Range     | 8~14μm                                                     |        |
| NETD               | ≤40mK(@25°C,F#1.0,25Hz)                                    |        |
| Max. Resolution    | 640×512                                                    |        |
| Pixel Pitch        | 12μm                                                       |        |
| Focal Length       | 30~150mm, 25~225mm                                         |        |
| Focus Mode         | Auto/Manual                                                |        |
| FOV                | 14.7°×11.7°~2.9°×2.3°, 17.6°×14.1°~2.0°×1.6°               |        |
| F number           | F0.85~F1.2, F0.95~F1.5                                     |        |
| Spatial Resolution | 0.080~0.400mrad, 0.053~0.480mrad                           |        |
| Color Palette      | 18 modes selectable such as Blackhot/Whitehot/Rainbow,etc. |        |
| <b>Visible</b>     |                                                            |        |
| Image Sensor       | 1/1.8inch 4MP CMOS                                         |        |
| Max. Resolution    | 2688×1520                                                  |        |
| Focal Length       | 6~300mm 50×optical zoom                                    |        |
| Focus Mode         | Auto / Manual / One-shot auto                              |        |
| FOV                | Horizontal: 62° ~ 1.6°                                     |        |
| Min. Illumination  | Color: 0.005Lux/F1.4 B/W: 0.0005Lux/F1.4                   |        |
| WDR                | Support                                                    |        |
| Day/Night          | Manual/Auto                                                |        |
| DNR                | 3D NR                                                      |        |
| <b>PTZ</b>         |                                                            |        |
| Pan Range          | Pan:360° Continuous Rotate                                 |        |
| Pan Speed          | Configurable: 0.01°~30°/s                                  |        |

|                 |                                 |
|-----------------|---------------------------------|
| Tilt Range      | Tilt-90°~+90°                   |
| Tilt Speed      | Configurable: 0.01°~15°/s       |
| Preset Accuracy | ±0.01°                          |
| Presets         | 256                             |
| Patrol Scan     | 8, up to 255 presets per patrol |
| Pattern Scan    | 4                               |

|                         |                                                           |
|-------------------------|-----------------------------------------------------------|
| Linear Scan             | 4                                                         |
| Panorama Scan           | 1                                                         |
| 3D Positioning          | yes                                                       |
| Power Off Memory        | yes                                                       |
| Tele Speed Setup        | Speed adaptation to zoom ratio                            |
| Position Setup          | support, configurable in horizontal/vertical              |
| Privacy Mask            | yes                                                       |
| Park                    | Preset/Pattern Scan/Patrol Scan/Linear Scan/Panorama Scan |
| Scheduled Task          | Preset/Pattern Scan/Patrol Scan/Linear Scan/Panorama Scan |
| Anti-burn               | yes                                                       |
| Remote Power-off Reboot | yes                                                       |

### Network

|                        |                                                                         |
|------------------------|-------------------------------------------------------------------------|
| Protocols              | TCP/IP,UDP,ICMP,HTTP,HTTPS,FTP,DHCP,DNS,RTP,RTSP,RTCP,IGMP,SMTP,NTP,QoS |
| Interoperability       | ONVIF、GB28181、SDK                                                       |
| Simultaneous live view | Up to 20 channels                                                       |
| User Management        | Up to 20 users, 3 levels: Administrator, Operator and User              |
| Browser                | IE8+, multiple languages (at least Chinese and English)                 |

### Video

|                       |                                          |
|-----------------------|------------------------------------------|
| Max. Resolution       | 2688x1520 (visible), 1280x1024 (thermal) |
| Image Encoding Format | JPEG                                     |
| Audio                 | G.711A/G.711Mu/PCM/AAC/MPEG2-Layer2      |

|                   |                                                                                                                                                                                                               |
|-------------------|---------------------------------------------------------------------------------------------------------------------------------------------------------------------------------------------------------------|
| Compression       |                                                                                                                                                                                                               |
| Video Compression | H.264/H.265/MJPEG                                                                                                                                                                                             |
| Main Stream       | Visible :<br>50Hz:25fps(2688×1520), 25fps(1920×1080), 25fps(1280×720);<br>60Hz:30fps(2688×1520), 30fps(1920×1080), 30fps(1280×720);<br><br>Thermal: (640×512)<br>50Hz:25fps(640×512);<br>60Hz:30fps(640×512); |
| Sub Stream        | Visible :<br>50Hz:25fps(1280×720), 25fps(704×576);<br>60Hz:30fps(1280×720), 30fps(704×480);<br><br>Thermal: (640×512)                                                                                         |

|                         |                                                                                                                                       |
|-------------------------|---------------------------------------------------------------------------------------------------------------------------------------|
|                         | 50Hz:25fps(640×512);<br>60Hz:30fps(640×512);                                                                                          |
| <b>Smart Function</b>   |                                                                                                                                       |
| Fire Detection          | yes                                                                                                                                   |
| Zoom Linkage            | yes                                                                                                                                   |
| Smart Record            | Alarm trigger recording, disconnection trigger recording (continue transmission after connection)                                     |
| Smart Alarm             | Support alarm trigger of network disconnection, IP address conflict, full memory, memory error, illegal access and abnormal detection |
| Smart Detecting         | Support smart video analysis such as line intrusion, cross-border, and region intrusion                                               |
| Alarm Linkage           | Recording/Capture/Sending mail/PTZ linkage/Alarm output                                                                               |
| <b>System Interface</b> |                                                                                                                                       |
| Power Supply            | DC 48V                                                                                                                                |
| Communication Interface | RJ45 self-adaptive 10M / 100M Ethernet port                                                                                           |
| Audio Input             | 1 channel                                                                                                                             |
| Audio Output            | 1 channel                                                                                                                             |
| Video Output            | 1.0V[p-p] / 75Ω, PAL or NTSC, BNC head                                                                                                |
| Alarm Input             | 7 channels                                                                                                                            |
| Alarm Output            | 2 channels                                                                                                                            |
| Storage Interface       | Support Micro SD card (Max. 256G), hot swap                                                                                           |
| RS485                   | 1 channel, support Pelco protocols                                                                                                    |

| General              |                                                                                                                                    |
|----------------------|------------------------------------------------------------------------------------------------------------------------------------|
| Operating Conditions | -40°C~+70°C ; <90%RH                                                                                                               |
| Protection Grade     | IP66, TVS 6000V Lightning Protection, Surge Protection and Voltage Transient Protection<br>Conform to GB/T17626.5 Grade-4 Standard |
| Power Protection     | support protection on overvoltage, undervoltage and reverse connection                                                             |
| Power Consumption    | 200W                                                                                                                               |
| Dimensions (mm)      | 746x 748x 437mm (WxH xL)                                                                                                           |
| Weight               | 42KG                                                                                                                               |

## Operating Distance

The recommended distance of detecting, recognizing and identifying for human (1.8x0.5m) and vehicles (1.4x4.0m) are as follows:

DD stands for Detecting Distance;

RD stands for Recognizing Distance;

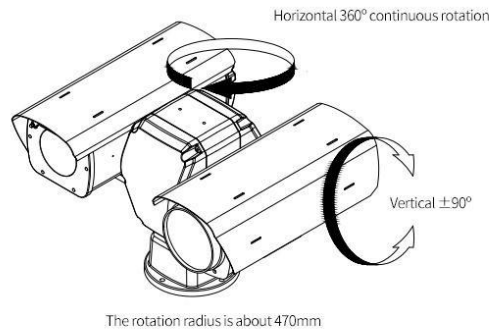
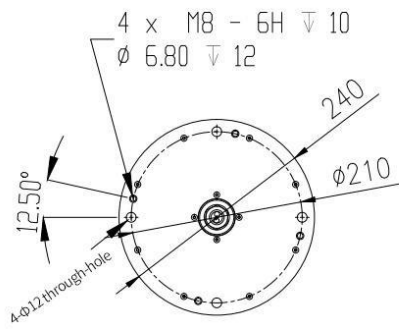
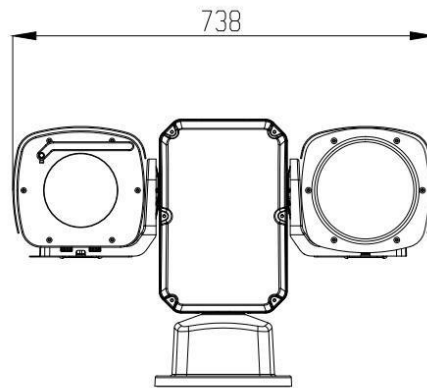
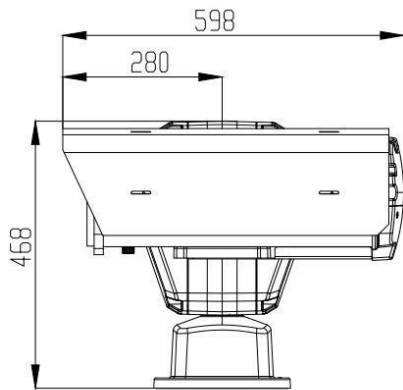
ID stands for Identifying Distance;

The recommended distance of detecting, recognizing and identifying for human (1.8x0.5m) and vehicles (1.4x4.0m) are as follows:















| Lens  | DD (Vehicle) | DD (Human) | RD (Vehicle) | RD (Human) | ID (Vehicle) | ID (Human) |
|-------|--------------|------------|--------------|------------|--------------|------------|
| 30mm  | 3.8km        | 1.3km      | 1.0km        | 0.3km      | 0.5km        | 0.2km      |
| 150mm | 19.2km       | 6.3km      | 4.8km        | 1.6km      | 2.4km        | 0.8km      |

| Lens  | DD (Vehicle) | DD (Human) | RD (Vehicle) | RD (Human) | ID (Vehicle) | ID (Human) |
|-------|--------------|------------|--------------|------------|--------------|------------|
| 25mm  | 3.2km        | 1.0km      | 0.8km        | 0.3km      | 0.4km        | 0.1km      |
| 225mm | 28.8km       | 9.4km      | 7.2km        | 2.3km      | 3.6km        | 1.2km      |

# Camera Structure & Dimensions



## Packing List

| No. | Name                                                                                       | Qty | Notes                                                                                 |
|-----|--------------------------------------------------------------------------------------------|-----|---------------------------------------------------------------------------------------|
| 1   | PT                                                                                         | 1   |    |
|     | H5 Allen wrench                                                                            | 1   |    |
|     | binding post                                                                               | 1   |    |
|     | waterproof casing for network cable                                                        | 1   |    |
|     | lifting bolt                                                                               | 2   |    |
|     | M6*25 screws (with flat washer and spring washer)                                          | 16  |   |
|     | M4*16 thumb screw (with seal ring)                                                         | 10  |  |
|     | M4*20 thread-off proof screw (with flat washer, spring washer, seal ring and lifting post) | 12  |  |
|     | wiring cover board                                                                         | 2   |  |
| 2   | protective cover for visible light                                                         | 1   |  |
|     | sun-shield cover                                                                           | 1   |  |
| 3   | protective cover for thermal imaging                                                       | 1   |  |
|     | sun-shield cover                                                                           | 1   |  |
| 4   | power                                                                                      | 1   |  |