

**NDAA**

## 2MP/5MP/4K AI Motorized Pro Bullet Network Camera - IR 60/100M

### Features:

- ▶ 1/2.8" 2MP ~ 4K progressive scan Sony STARVIS CMOS
- ▶ Lens: Motorized 2.7~13.5mm, /7~22mm@F1.4
- ▶ **P-Iris**
- ▶ Primary Stream: **60fps@1080P** / 30fps@4K
- ▶ Min. Illumination, **Color: 0.002Lux@F1.2** B/W: 0Lux with IR on
- ▶ **AI Video Intelligent Analytics**
- ▶ SIP Protocol: Voice & Video-over-IP
- ▶ Starlight Technology
- ▶ Triple-stream Encoding
- ▶ 120dB Super WDR
- ▶ IR Distance: 60M / 100M
- ▶ 3AXIS
- ▶ Audio I/O 1/1, Alarm I/O 1/1
- ▶ ONVIF Profile G & Q & S & T, API
- ▶ Support micro SD up to 256GB
- ▶ POE, 12VDC, IP67, IK10, -40°C ~ + 60°C



### AI Video Analytics

- 8 intelligent VCA modes powered by AI engine, which can intelligently filter objects to focus on human and vehicle detection.
- People Counting technology provides high accuracy and real-time data based on AI algorithm with statistic reports.
- Face Detection function detects human faces in the monitoring scene and captures the snapshots, which greatly enhances the monitoring efficiency.



### 0.002Lux Ultra Low-light

The starlight camera is able to deliver high detailed color images even in low light environment reaching 0.001Lux(Color) or 0Lux(B/W), and near infrared light environments without any supplementary lighting.



### 3 in 1 Super WDR Pro - 120dB

Rhodium upgraded 3 in 1 Super WDR Pro outputs three frames each line, which is able to bring more details especially moving subjects. What's more, it greatly improves image quality for reducing smear and noisy points. The ratio that the brightest light signal values divided by the darkest light signal values is up to 140dB.



### Integrated Cable Management Bracket

In the base support, there are power interface, PoE port, Audio I/O and Alarm I/O interfaces. Thanks to the Integrated Cable Management, it takes no effort in installation. Besides, the creative clamshell design minimizes the installation troubles and enlarges the space to make cable connection a piece of cake.



# 2MP/5MP/4K AI Motorized Pro Bullet Network Camera - IR 60/100M

	Model	RBU2962-RFPA (2MP)	RBU2862-RFPA (2MP)	RBU5362-FPA (5MP)
<b>Camera</b>	Image Sensor	1/2" Progressive Scan CMOS	1/2.8" Progressive Scan CMOS	
	Min. Illumination	Color: 0.002Lux@F1.4 B/W: 0Lux with IR on	Color: 0.005Lux@F1.4 B/W: 0Lux with IR on	Color: 0.008Lux@F1.4 B/W: 0Lux with IR on
	WDR	120dB Super WDR (Super WDR Pro is optional for T Series)		120dB Super WDR
	Shutter Time	1/100000s~1s		
	IR Distance	Up to 60m	Up to 60m(3.0~10.5mm/2.7~13.5mm) Up to 100m(7~22mm)	
	Day/Night Mode	Day/Night/Auto/Customize/Schedule		
	S/N	>55dB		
<b>Lens</b>	Lens	Motorized 3.6~10mm@F1.4 P-Iris(Optional)	Motorized 2.7~13.5mm/3.0~10.5mm/7~22mm@F1.4 P-Iris(Optional)	
	Field of View	H96°~H42°/ D111°~D48°/ V55°~V23°	H92°~H32°/D107°~D37° /V51°~V18° (2.7~13.5mm) H93°~H33°/D107°~D38° /V52°~V18° (3.0~10.5m) H40°~H16°/D46°~D19° /V23°~V9° (7~22mm)	H99°~H32°/D123°~D40° /V73°~V24° (2.7~13.5mm) H90°~H31°/ D114°~D38° / V67°~V23°(3.0~10.5mm) H37°~H15°/D47°~D19° /V28°~V11° (7~22mm)
	Mount	Φ14		
	Focus Control	Auto/Manual		
	Iris Control (Optional for I Series)	Auto/Manual		
<b>Video</b>	Max. Image Resolution	1920x1080		2592x1944
	Primary Stream	60fps@(1920x1080,1280x960, 1280x720, 704x576)		30fps@(2592x1944), 45fps@(2048x1536), 60fps@(1920x1080, 1280x960, 1280x720, 704x576)
	Secondary Stream	30fps@(704x576, 640x480, 640x360, 352x288, 320x240, 320x192, 320x180)		
	Tertiary Stream	30fps@(1920x1080, 1280x720, 704x576, 640x480, 640x360, 320x240, 320x192, 320x180)		
	Video Compression	H.265*/H.265(HEVC)/H.264*/H.264/MJPEG		
	Video Bit Rate	16Kbps~16Mbps(CBR/VBR Adjustable)		
	Privacy Masking	Up to 8 areas		
	ROI	Up to 8 areas		
Image Setting	Brightness/Contrast/Saturation/Sharpness			
<b>Interface</b>	Ethernet	1*RJ45 10M/100M Ethernet Port		
	Audio I/O	1/1		
	Alarm I/O	1/1		
<b>Network</b>	Network Storage	NAS(Support NFS, SMB/CIFS), ANR		
	Protocol	IPv4/IPv6, ARP, TCP, UDP, RTP, RTSP, RTMP, HTTP, HTTPS, DNS, DDNS, DHCP, FTP, NTP, SMTP, SNMP, UPnP, Bonjour, SIP, PPPoE, VLAN, 802.1x, QoS, IGMP, ICMP, SSL		

# 2MP/5MP/4K AI Motorized Pro Bullet Network Camera - IR 60/100M

<b>Audio</b>	Audio Compression	G.711/AAC/G.722/G.726		
	Audio Sampling Rate	8/16/32/44.1/48KHz		
	Audio Bit Rate	16~256kbps		
	Two-way Audio	Support		
<b>Intelligent Analytics</b>	Video Analysis	Region Entrance, Region Exiting, Advanced Motion Detection, Tamper Detection, Line Crossing, Loitering, Object Left, Object Removed		
	Face detection	Detect and capture faces, get real-time snapshots		
	People Counting&Report	Count the number of people entering or exiting, Up to 4 detection areas for regional people counting		
<b>System</b>	Storage	microSD/SDHC/SDXC Card Local Storage, up to 256G		
	Advanced Function	BLC, HLC, 2D DNR, 3D DNR, Defog, AWB, EIS, IP Address Filtering, AGC, Anti-flicker, Corridor Mode, Deblur, Watermark, MultiCast, UniCast		
	SIP/VoIP Support	Yes, Voice & Video-over-IP		
	Event Trigger	Motion Detection, Network Disconnection, External Input, Audio Alarm, etc.		
	Event Action	FTP Upload, SMTP Upload, SD Card Record, External Output, SIP Phone, HTTP Notification, etc.		
	System Compatibility	ONVIF Profile G & Q & S & T, API		
<b>General</b>	Working Temperature	-40°C~60°C		
	Working Humidity	0~90%(Non-condensing)		
	Power Supply	PoE (802.3af) / DC 12V±10%		
	Power Consumption	8W MAX 10W MAX(With IR on)	8.5W MAX 11W MAX(With IR on)	9W MAX 11W MAX(With IR on)
	Housing	Vandal-proof IK10-rated Metal Housing (Optional) / Up to IP67-rated for Weather-resistant Performance		
	Weight	1080g		
	Dimensions	134mmX126mmX285mm		
	Warranty	3/5 Years		
<b>Certifications:</b>	CE, FCC, LVD, ISO9001, ISO14001 EN55032:2015, EN55035:2017, EN61000-3-2:2014, EN61000-3-3:2013, EN62368-1:2014+A11:2017			

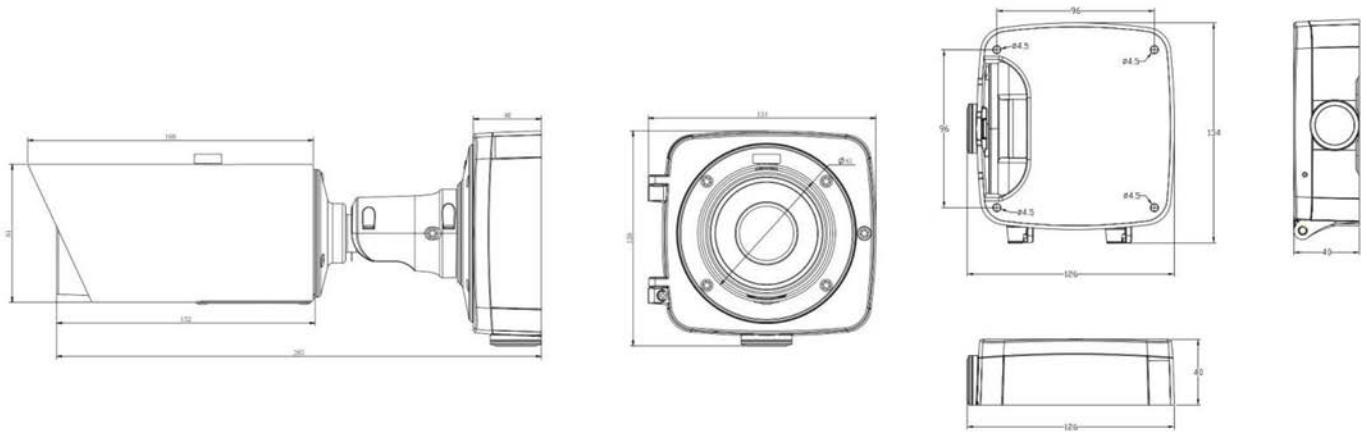
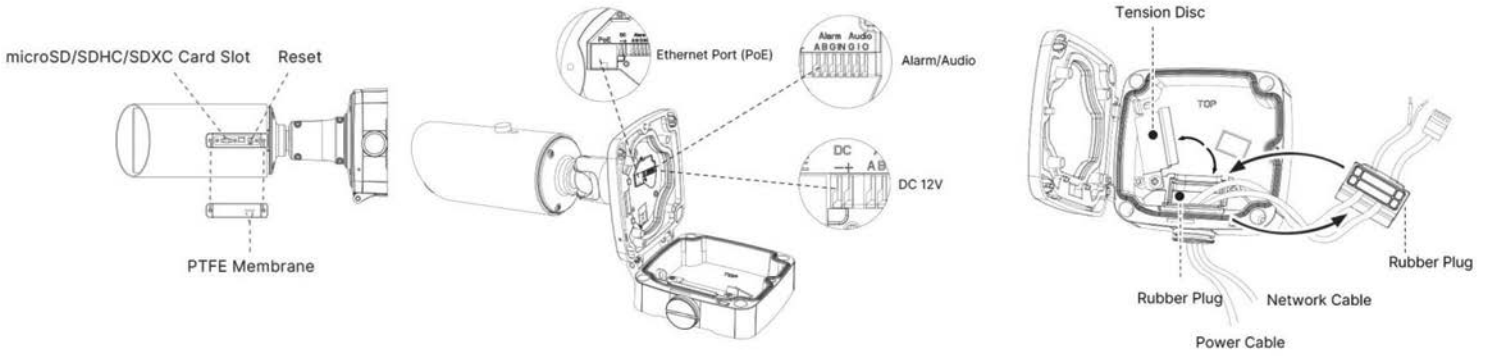
# 2MP/5MP/4K AI Motorized Pro Bullet Network Camera - IR 60/100M

	Model	RBU8162-FPA (4K)	RBU8262-FPA (4K)
<b>Camera</b>	Image Sensor	1/2.8" Progressive Scan CMOS	1/1.8" Progressive Scan CMOS
	Min. Illumination	Color: 0.012Lux@F1.4 B/W: 0Lux with IR on	Color: 0.009Lux@F1.4 B/W: 0Lux with IR on
	WDR	120dB Super WDR	
	Shutter Time	1/100000s~1s	
	IR Distance	Up to 60m	
	Day/Night Mode	Day/Night/Auto/Customize/Schedule	
	S/N	>55dB	
	<b>Lens</b>	Lens	Motorized 2.7~13.5mm@F1.4 P-Iris(Optional)
Field of View		H96°~H33°/D112°~D37°/V53°~V18°	H110°~H46°/D126°~D54°/V61°~V25°
Mount		Ø14	
Focus Control		Auto/Manual	
Iris Control (Optional for I Series)		Auto/Manual	
<b>Video</b>	Max. Image Resolution	3840x2160	
	Primary Stream	30fps@(3840x2160, 3072x2048, 2592x1944, 2592x1520, 2048x1536, 1920x1080, 1280x960, 1280x720, 704x576)	
	Secondary Stream	30fps@(704x576, 640x480, 640x360, 352x288, 320x240, 320x192, 320x180)	
	Tertiary Stream	30fps@(1920x1080, 1280x720, 704x576, 640x480, 640x360, 320x240, 320x192, 320x180)	
	Video Compression	H.265+/H.265(HEVC)/H.264+/H.264/MJPEG	
	Video Bit Rate	16Kbps~16Mbps(CBR/VBR Adjustable)	
	Privacy Masking	Up to 8 areas	
	ROI	Up to 8 areas	
Image Setting	Brightness/Contrast/Saturation/Sharpness		
<b>Interface</b>	Ethernet	1*RJ45 10M/100M Ethernet Port	
	Audio I/O	1/1	
	Alarm I/O	1/1	
<b>Network</b>	Network Storage	NAS(Support NFS, SMB/CIFS), ANR	
	Protocol	IPv4/IPv6, ARP, TCP, UDP, RTCP, RTP, RTSP, RTMP, HTTP, HTTPS, DNS, DDNS, DHCP, FTP, NTP, SMTP, SNMP, UPnP, Bonjour, SIP, PPPoE, VLAN, 802.1x, QoS, IGMP, ICMP, SSL	

# 2MP/5MP/4K AI Motorized Pro Bullet Network Camera - IR 60/100M

<b>Audio</b>	Audio Compression	G.711/AAC/G.722/G.726	
	Audio Sampling Rate	8/16/32/48KHz	
	Audio Bit Rate	16~256kbps	
	Two-way Audio	Support	
<b>Intelligent Analytics</b>	Video Analysis	Region Entrance, Region Exiting, Advanced Motion Detection, Tamper Detection, Line Crossing, Loitering, Object Left, Object Removed	
	Face detection	Detect and capture faces, get real-time snapshots	
	People Counting&Report	Count the number of people entering or exiting, Up to 4 detection areas for regional people counting	
<b>System</b>	Storage	microSD/SDHC/SDXC Card Local Storage, up to 256G	
	Advanced Function	BLC, HLC, 2D DNR, 3D DNR, Defog, AWB, EIS, IP Address Filtering, AGC, Anti-flicker, Corridor Mode, Deblur, Watermark, MultiCast, UniCast	
	SIP/VoIP Support	Yes, Voice & Video-over-IP	
	Event Trigger	Motion Detection, Network Disconnection, External Input, Audio Alarm, etc.	
	Event Action	FTP Upload, SMTP Upload, SD Card Record, External Output, SIP Phone, HTTP Notification, etc.	
	System Compatibility	ONVIF Profile G & Q & S & T, API	
<b>General</b>	Working Temperature	-40°C~60°C	
	Working Humidity	0~90%(Non-condensing)	
	Power Supply	PoE (802.3af) / DC 12V±10%	
	Power Consumption	10W MAX 13W MAX (With IR on)	11W MAX 13W MAX (With IR on)
	Housing	Vandal-proof IK10-rated Metal Housing (Optional) / Up to IP67-rated for Weather-resistant Performance	
	Weight	1080g	
	Dimensions	134mmX126mmX285mm	
	Warranty	3/5 Years	
<b>Certifications:</b>	CE, FCC, LVD, ISO9001, ISO14001 EN55032:2015, EN55035:2017, EN61000-3-2:2014, EN61000-3-3:2013, EN62368-1:2014+A11:2017		

Structure Diagrams



Units: mm

Accessories Support

RA01 Pole Mount  
Weight: 720g  
Dimensions: 170\*51.5\*152.6mm



RA03 External Corner Bracket  
Weight: 900g  
Dimensions: 170\*152.5\*76.3mm



RA62 Junction Box  
Weight: 510g  
Dimensions: 134\*126\*40mm

