

AI 5G 4X / 12X Pro Bullet Camera Series



KEY FEATURES

- ▶ Smart IR II (Combining the High Beam and Low Beam to adjust IR intensity to fit different lighting conditions.)
- ▶ P2P (Remotely access the camera using 5G network via P2P with hassle-free setup and easy connection.)
- ▶ 100fps High Frame Rate (Camera can easily catch images with no latency despite of the high-speed movement.)
- ▶ HLC (High Light Compensation. Improving image visibility under strong light sources.)
- ▶ Defog (Defog technology. Restoring clear images in hazy and foggy weather.)
- ▶ Integrated Cable Management (Combining the power interface, PoE port, and other interfaces in the base neatly.)
- ▶ 256G (Supporting ultra-large external microSD/SDHC/SDXC card storage up to 256G.)
- ▶ Smart Stream (Bandwidth, storage and bit rate are saved with Smart Stream On, eg, H.265+ saves 70%~80% bandwidth that of H.264.)

5G Technology

Camera responsiveness and real-time monitoring can be greatly enhanced by the larger bandwidth and lower latency of 5G networks, not to mention a leap in ultra-high-definition video or images. The 5G camera comes with its 5G cellular module, which is fit for some scenarios where wiring is inconvenient, and its higher performance of mobility, security and coverage also bring new opportunities for the industry.



30fps@4K

Providing 4K HD resolution with frame rate of 30fps, the camera performs well in catching detailed image regardless of the moving speed.



AI Video Analytics

- 8 intelligent VCA modes powered by AI engine, which can intelligently filter objects to focus on human and vehicle detection.
- People Counting technology provides high accuracy and real-time data based on AI algorithm with statistic reports.
- Face Detection function detects human faces in the monitoring scene and captures the snapshots, which greatly enhances the monitoring efficiency.



3 in 1 Super WDR Pro & 0.002Lux Ultra Low-light

140dB Super WDR Pro combines 3 frames with multiple exposures to get the optimal images especially moving subjects in high contrast lighting situations. Meanwhile, Rhodium cameras can capture full-color images in extremely low-light conditions reaching 0.002Lux without extra light supplement.



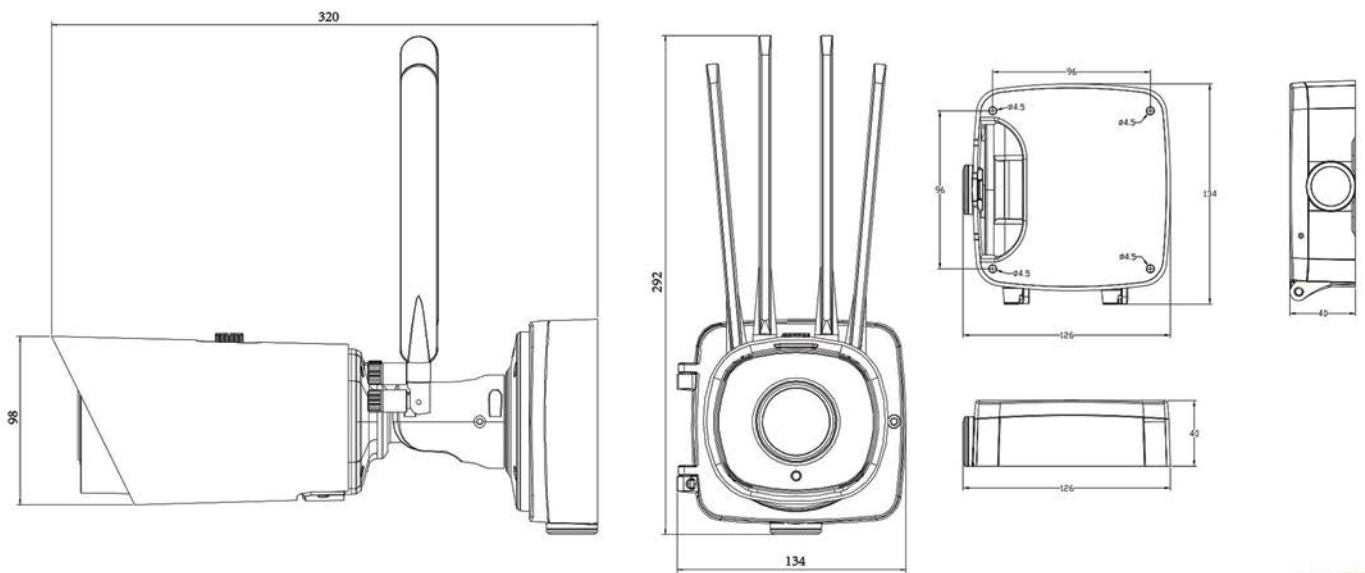
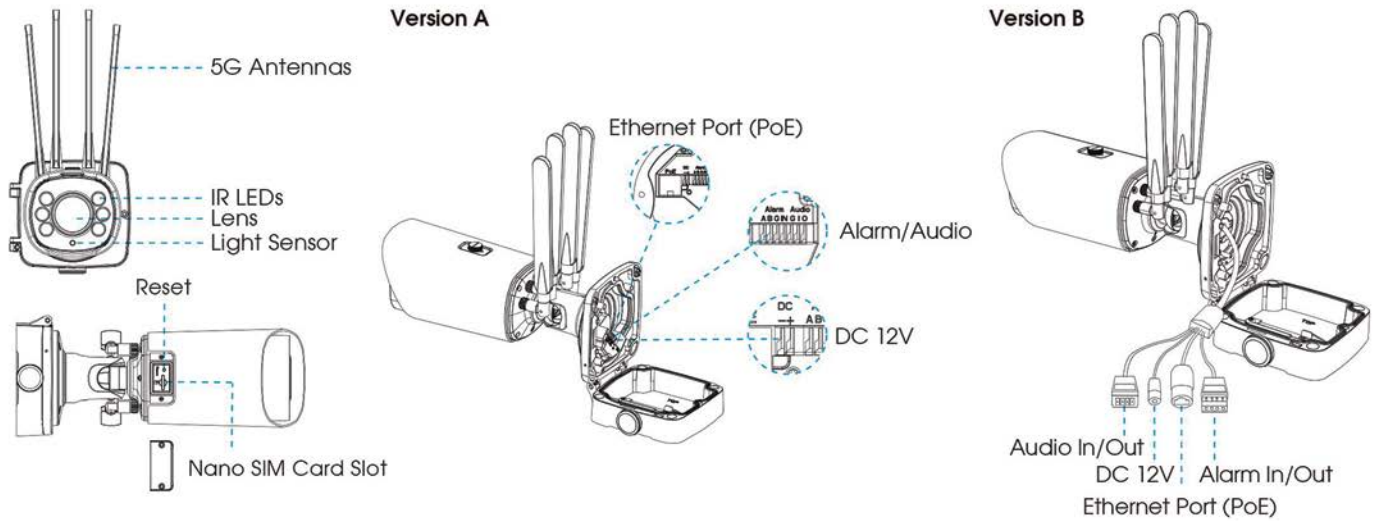
AI 5G 4X / 12X Pro Bullet Camera Series

	Model	RBU2966-X12R(T)GPC (2MP)	RBU8266-X4GPC (4K)	
Camera	Image Sensor	1/2.8" Progressive Scan CMOS	1/1.8" Progressive Scan CMOS	
	Min. Illumination	Color: 0.002Lux@F1.2 Color: 0.005Lux@F1.6 B/W: 0Lux with IR on	Color: 0.006Lux@F1.2 Color: 0.009Lux@F1.6 B/W: 0Lux with IR on	
	WDR	140dB Super WDR (Super WDR Pro is optional for T Series)	120dB Super WDR	
	Shutter Time	1/100000s~1s		
	IR Distance	Up to 150m		
	Day/Night Mode	Day/Night/Auto/Customize/Schedule		
	S/N	>55dB		
Lens	Lens	5.3~64mm, 12X Optical Zoom	8~32mm, 4X Optical Zoom	
	Field of View	H61°~H5°/D69°~D5°/V36°~V2°	H44°~H13°/D51°~D15°/V25°~V7°	
	Mount	Φ14		
	Focus Control	Auto/Manual		
	Aperture	F1.6~F2.8	F1.6-F1.7	
	Iris Control	Auto		
Video	Max. Image Resolution	1920x1080	3840x2160	
	Primary Stream	100fps@(1920x1080)(Optional for T Series), 60fps@(1920x1080, 1280x960, 1280x720, 704x576)	30fps@(3840x2160, 3072x2048, 2592x1944, 2592x1520, 2048x1536, 1920x1080, 1280x960, 1280x720, 704x576)	
	Secondary Stream	60fps@(704x576, 640x480, 640x360, 352x288, 320x240, 320x192, 320x180)	30fps@(704x576, 640x480, 640x360, 352x288, 320x240, 320x192, 320x180)	
	Tertiary Stream	30fps@(1920x1080, 1280x720, 704x576, 640x480, 640x360, 320x240, 320x192, 320x180)		
	Video Compression	H.265+/H.265(HEVC)/H.264+/H.264/MJPEG		
	Video Bit Rate	16Kbps~16Mbps(CBR/VBR Adjustable)		
	Privacy Masking	Up to 24 areas		
	ROI	Up to 8 areas		
	Image Setting	Brightness/Contrast/Saturation/Sharpness		
Interface	Ethernet	1*RJ45 10M/100M Ethernet Port		
	Audio I/O	1/1		
	Alarm I/O	1/1		
Mobile Communication Parameter	Wireless Communication	Support 5G/4G/3G		
	Frequency Bands	5G NR	n1/n2/n3/n5/n7/n8/n12/n20/n28/n41/n66/n71/n77/n78/n79	
		LTE-FDD	B1/B2/B3/B4/B5/B7/B8/B9/B12/B13/B14/B17/B18/B19/B20/B21(TBD)/ B25/B26/B28/B29/B30/B32/B66/B71	
		LTE-TDD	B34/B38/39/B40/B41/B42/B48	
		LAA	B46	
		WCDMA	B1/B2/B3/B4/B5/B6/B8/B19	

AI 5G 4X / 12X Pro Bullet Camera Series

		GNSS	GPS/GLONASS/BeiDou/Galileo
	Wireless Transmission Speed	SA	DL 3.3Gbps; UL 250Mbps
		NSA	DL 3.4Gbps; UL 200Mbps
		LTE	DL 2.0Gbps; UL 150Mbps
		WCDMA	DL 42Mbps; UL 5.76Mbps
SIM card		Nano SIM	
Network	Network Storage		NAS(Support NFS, SMB/CIFS), ANR
	Protocol		IPv4/IPv6, ARP, TCP, UDP, RTCP, RTP, RTSP, RTMP, HTTP, HTTPS, DNS, DDNS, DHCP, FTP, NTP, SMTP, SNMP, UPnP, Bonjour, SIP, PPPoE, VLAN, 802.1x, QoS, IGMP, ICMP, SSL
Audio	Audio Compression		G.711/AAC/G.722/G.726
	Audio Sampling Rate		8/16/32/44.1/48KHz
	Audio Bit Rate		16~256kbps
	Two-way Audio		Support
Intelligent Analytics	Video Analysis Region Entrance, Region Exiting, Advanced Motion Detection, Tamper Detection, Line Crossing, Loitering, Object Left, Object Removed		
	Face detection Detect and capture faces, get real-time snapshots		
	People Counting& Report Count the number of people entering or exiting, Up to 4 detection areas for regional people counting		
System	Storage Support microSD/SDHC/SDXC Card Local Storage, up to 256G		
	Advanced Function Heat Map, BLC, HLC, 2D DNR, 3D DNR, Defog, AWB, EIS, IP Address Filtering, AGC, Anti-flicker, Corridor Mode, Deblur, Watermark, MultiCast, UniCast		
	SIP/VoIP Support Yes, Voice & Video-over-IP		
	Event Trigger Motion Detection, Network Disconnection, External Input, Audio Alarm, etc.		
	Event Action FTP Upload, SMTP Upload, SD Card Record, External Output, SIP Phone, HTTP Notification, etc		
	System Compatibility ONVIF Profile G & Q & S & T, API		
General	Working Temperature -40℃~60℃		
	Working Humidity 0~90%(Non-condensing)		
	Power Supply PoE (802.3at) / DC 12V±10%		
	Power Consumption		
	Surge Protection 4KV		
	Weather Proof Up to IP67-rated for Weather-resistant Performance (Only for camera body)		
	Weight		
	Dimensions 320mmX134mmX126mm 320mmX134mmX292mm (With 5G Antennas)		
	Warranty 3/5 Years		
Certifications:		CE, FCC, LVD, ISO9001, ISO14001 EN55032:2015, EN55035:2017, EN61000-3-2:2014, EN61000-3-3:2013, EN62368-1:2014+A11:2017	

Structure Diagrams



Units: mm

Accessories Support

RA01 Pole Mount

Weight: 720g
Dimensions: 170*51.5*152.6mm



RA03 External Corner Bracket

Weight: 900g
Dimensions: 170*152.5*76.3mm



A62 Junction Box

Weight: 510g
Dimensions: 134*126*40mm

