

## AI 12X AF Motorized Pro Bullet Plus Network Camera Series

### Features:

- ▶ 1/2.8" 2MP ~ 5MP progressive scan Sony STARVIS CMOS
- ▶ Lens: Motorized: 5.3~64mm
- ▶ **Primary Stream: 100fps@1080P** 30fps@5MP
- ▶ Min. Illumination, Color: 0.002Lux@F1.2 B/W: 0Lux with IR on
- ▶ **AI Video Intelligent Analytics**
- ▶ SIP/Protocol: Voice & Video-over-IP
- ▶ Unicast, Multicast Protocol
- ▶ Starlight Technology
- ▶ Triple-stream Encoding
- ▶ 140dB Super WDR
- ▶ IR Distance: up to 120M
- ▶ 3AXIS
- ▶ Audio I/O 1/1, Alarm I/O 1/1
- ▶ ONVIF Profile G & Q & S & T, API
- ▶ Support micro SD up to 256GB
- ▶ POE, 12VDC, IP67, IK10, -40°C ~ + 60°C



### AI Video Analytics

- 8 intelligent VCA modes powered by AI engine, which can intelligently filter objects to focus on human and vehicle detection.
- People Counting technology provides high accuracy and real-time data based on AI algorithm with statistic reports.
- Face Detection function detects human faces in the monitoring scene and captures the snapshots, which greatly enhances the monitoring efficiency.



### 0.002Lux Ultra Low-light

The starlight camera is able to deliver high detailed color images even in low light environment reaching 0.002Lux(Color) or 0Lux(B/W), and near infrared light environments without any supplementary lighting.



### 3 in 1 Super WDR Pro - 140dB

Rhodium upgraded 3 in 1 Super WDR Pro outputs three frames each line, which is able to bring more details especially moving subjects. What's more, it greatly improves image quality for reducing smear and noisy points. The ratio that the brightest light signal values divided by the darkest light signal values is up to 140dB.



### 100fps

With the industry leading frame rate reaching 100fps, the cameras can easily catch images with no latency despite of the high-speed movement, which is the best choice for the demanding requirements especially for intelligent cameras.



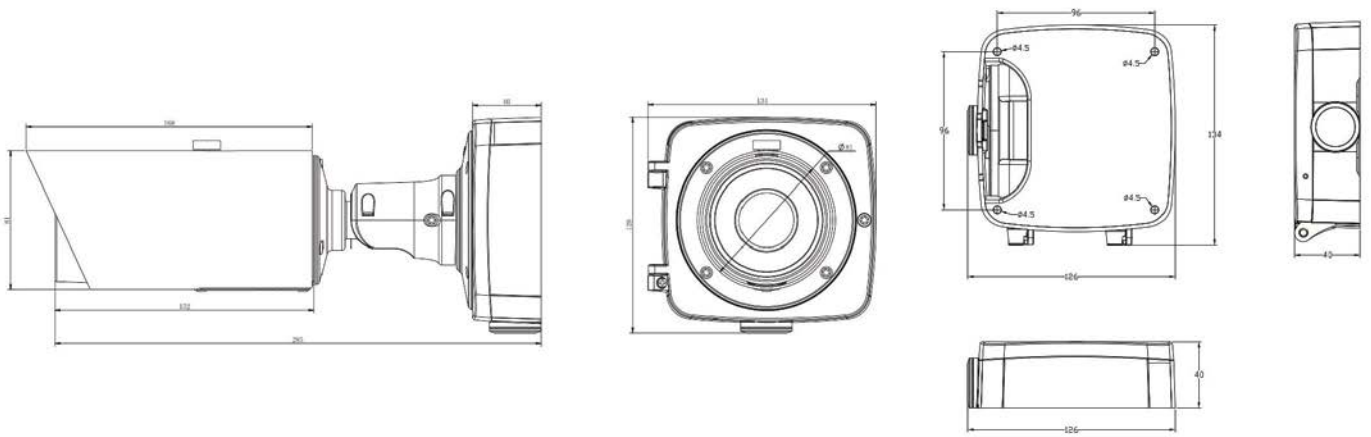
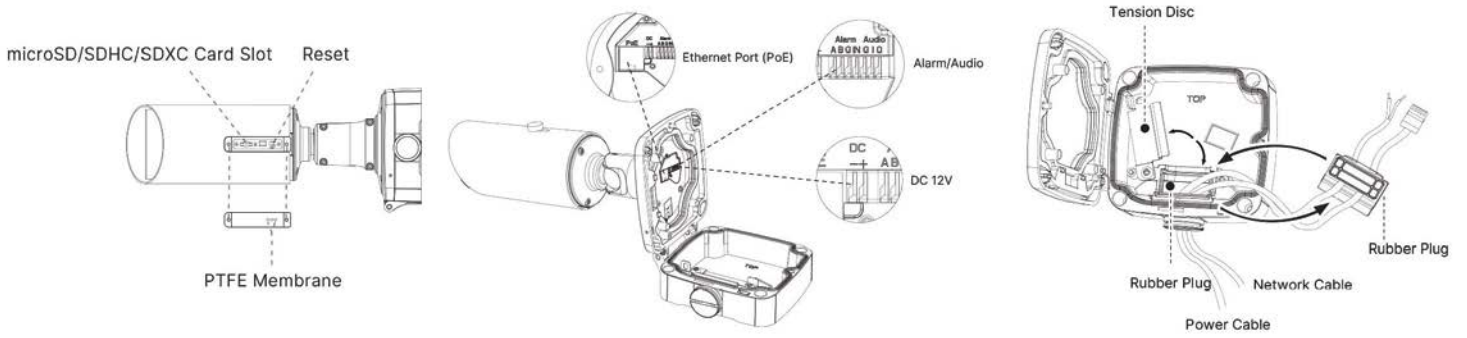
# AI 12X AF Motorized Pro Bullet Plus Network Camera Series

	Model	RBU2962-(R)(T)EPC (2MP)	RBU5362-EPC (5MP)
<b>Camera</b>	Image Sensor	1/2.8" Progressive Scan CMOS	
	Min. Illumination	Color: 0.002Lux@F1.2 Color: 0.005Lux@F1.6 B/W: 0Lux with IR on	Color: 0.005Lux@F1.2 Color: 0.008Lux@F1.6 B/W: 0Lux with IR on
	WDR	140dB Super WDR <b>(Super WDR Pro is optional for T Series)</b>	120dB Super WDR
	Shutter Time	1/100000s~1s	
	IR Distance	Up to 120m	
	Day/Night Mode	Day/Night/Auto/Customize/Schedule	
	S/N	>55dB	
	<b>Lens</b>	Lens	5.3~64mm, 12X Optical Zoom
Field of View		H61°~H5°/D69°~D5°/V36°~V2°	H57°~H4°/D69°~D5°/V44°~V1°
Mount		Φ14	
Focus Control		Auto/Manual	
Aperture		F1.6~F2.8	
Iris Control		Auto	
<b>Video</b>	Max. Image Resolution	1920x1080	2592x1944
	Primary Stream	<b>100fps@(1920x1080)(Optional for T Series),</b> 60fps@(1920x1080, 1280x960, 1280x720, 704x576)	30fps@(2592x1944), 45fps@(2048x1536), 60fps@(1920x1080, 1280x960, 1280x720, 704x576)
	Secondary Stream	30fps@(704x576, 640x480, 640x360, 352x288, 320x240, 320x192, 320x180)	
	Tertiary Stream	30fps@(1920x1080, 1280x720, 704x576, 640x480, 640x360, 320x240, 320x192, 320x180)	
	Video Compression	H.265+/H.265(HEVC)/H.264+/H.264/MJPEG	
	Video Bit Rate	16Kbps~16Mbps(CBR/VBR Adjustable)	
	Privacy Masking	Up to 8 areas	
	ROI	Up to 8 areas	
	Image Setting	Brightness/Contrast/Saturation/Sharpness	
<b>Interface</b>	Ethernet	1*RJ45 10M/100M Ethernet Port	
	Audio I/O	1/1	
	Alarm I/O	1/1	
<b>Network</b>	Network Storage	NAS(Support NFS, SMB/CIFS), ANR	
	Protocol	IPv4/IPv6, ARP, TCP, UDP, RTCP, RTP, RTSP, RTMP, HTTP, HTTPS, DNS, DDNS, DHCP, FTP, NTP, SMTP, SNMP, UPnP, Bonjour, SIP, PPPoE, VLAN, 802.1x, QoS, IGMP, ICMP, SSL	
<b>Audio</b>	Audio Compression	G.711/AAC/G.722/G.726	
	Audio Sampling Rate	8/16/32/44.1/48KHz	
	Audio Bit Rate	16~256kbps	
	Two-way Audio	Support	

# AI 12X AF Motorized Pro Bullet Plus Network Camera Series

<b>Intelligent Analytics</b>	Video Analysis	Region Entrance, Region Exiting, Advanced Motion Detection, Tamper Detection, Line Crossing, Loitering, Object Left, Object Removed
	Face detection	Detect and capture faces, get real-time snapshots
	People Counting& Report	Count the number of people entering or exiting, Up to 4 detection areas for regional people counting
<b>System</b>	Storage	Support microSD/SDHC/SDXC Card Local Storage, up to 256G
	Advanced Function	BLC, HLC, 2D DNR, 3D DNR, Defog, AWB, EIS, IP Address Filtering, AGC, Anti-flicker, Corridor Mode, Deblur, Watermark, MultiCast, UniCast
	SIP/VoIP Support	Yes, Voice & Video-over-IP
	Event Trigger	Motion Detection, Network Disconnection, External Input, Audio Alarm, etc.
	Event Action	FTP Upload, SMTP Upload, SD Card Record, External Output, SIP Phone, HTTP Notification, etc
	System Compatibility	ONVIF Profile G & Q & S & T, API
<b>General</b>	Working Temperature	-40°C~60°C
	Working Humidity	0~90%(Non-condensing)
	Power Supply	PoE (802.3at)
	Power Consumption	6W MAX 10W MAX (With IR on)
	Weather Proof	Up to IP67-rated for Weather-resistant Performance
	Weight	1080g
	Dimensions	134mmX126mmX285mm
	Warranty	3/5 Years
<b>Certifications:</b>		CE, FCC, LVD, ISO9001, ISO14001 EN55032:2015, EN55035:2017, EN61000-3-2:2014, EN61000-3-3:2013, EN62368-1:2014+A11:2017

## Structure Diagrams



Units: mm

## Accessories Support

RA01 Pole Mount

Weight: 720g  
Dimensions: 170\*51.5\*152.6mm



RA03 External Corner Bracket

Weight: 900g  
Dimensions: 170\*152.5\*76.3mm



RA62 Junction Box

Weight: 510g  
Dimensions: 134\*126\*40mm

