

BRONZE SE SERIES IR ILLUMINATOR

RS-SE36-IR IR ILLUMINATOR Series

IR LAMP

HI-POWER
LED

ENERGY
SAVING

AUTO D/N
CONTROL



Product Features

- Precise secondary optical technology

The latest LED technology assures outstanding performance of LED with excellent luminous efficiency and more uniform illumination

- Independent innovation of high efficiency power drive schemes

Low failure rate of products is guaranteed because of professional in-house optimized independent circuit technology widely used in our LED illuminators for more than 5 years

- High thermal conductivity aluminum

Excellent thermal management not only reduces excess heat and brightness decay of LED but also ensures efficient, reliable and continuous operation of LED throughout its lifetime as 50,000 hours.

- Energy saving technology

All illuminators has energy saving circuit with low electrical power consumption.

- Thinner and lighter design

Our patent owned housing is designed for simple installation and easy operation to reduce construction difficulty.

- Warranty period

3 year warranty

RS-SE36-IR IR ILLUMINATOR Series

Basic Function

- To improve performance of the weak light camera, thereby enhancing the picture effects at night.
- Conventional night monitoring
- The function of video analysis at night
- Reduce signal noise and other image distortion
- Reduce the network bandwidth requirements
- Energy saving by power factor correction
- Reduce the equipment cost
- Lower cost of installing and wiring
- Indoor and outdoor use

Viewing Picture At Night



With IR light



Without IR light

RS-SE36-IR IR ILLUMINATOR Series

Technical Specification

LED type: 36 pieces high power IR LED

Wavelength: 740nm/850nm/940nm

Beam angle: 15 to 120°

Beam distance: 300m to 75m(850nm)

Bracket: wall mount bracket

Working voltage: 85-265V AC/12-24V DC/24V AC

Cable: 1.3m(85-265V AC)/0.45m(12-24V DC/24V AC)

Power consumption: 60W(850nm)

Day/night switch: automatic

Working temperatures: -30 to 50°C(-50 to 50°C with heater)

Protection level: IP66

Color: beige/black

Panel: tempered glass panel+IR passing plastic

Housing: aluminum die-casting housing

N.W: 2.9KG

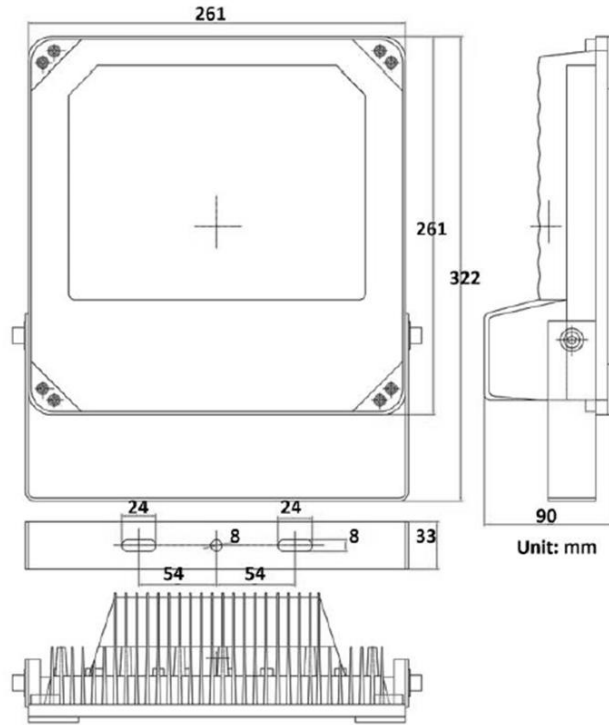
G.W: 3.2KG

Dimension: 261*261*90mm

Packing dimension: 290*280*140mm

RS-SE36-IR IR ILLUMINATOR Series

Drawing



Model For Selection

Model	Beam angle	IR distance(850nm)
RS-SE36-15-IR	15°	300m
RS-SE36-30-IR	30°	220m
RS-SE36-45-IR	45°	130m
RS-SE36-60-IR	60°	110m
RS-SE36-90-IR	90°	90m
RS-SE36-120-IR	120°	75m