

# Dual-spectrum Explosion-proof PTZ Network Camera

## RSPT464-T Series

---



### Product Feature

1. With the latest 12 $\mu$ m uncooled IR detector, SPT series can make farther and clearer images.
2. Visible imaging and thermal imaging can meet the requirement for 24/7 security monitoring.
3. Smart analysis for actions such as tripwire intrusion and area intrusion are available.
4. Support professional temperature measurement analysis tools and smart fire detecting algorithm.
5. Double explosion-proof certifications, explosion-proof standard: Ex d IIC T6 Gb/Ex tD A21 IP68 T80°C.
6. 304/316L stainless steel body design with encapsulation rating IP68.
7. ONVIF&GB28181 standard interface protocol, SDK, matched NVR and VMS client software is available.

## Product Specifications

Technical Index		RSPT464-T	
	Sensor Type	VOx uncooled FPA detector	
	Spectral Range	8~14μm	
Technical Index		SPT464-T	
Thermal	Max. Resolution	640*512	
	Pixel Pitch	12μm	
	Focal Length	13mm	25mm
	Focus Mode	Fixed, auto focus	
	FOV	33°x26°	17.5°x14°
	F number	F1.0	
	Spatial Resolution	0.92mrad	0.480mrad
	Color Palettes	20 modes selectable such as Blackhot/Whitehot/Rainbow,etc.	
Visible	Image sensor	1/1.8inch 4MP CMOS	
	Max. Resolution	2688x1520	
	Focal Length	6.4mm~128mm	
	Focus Mode	Auto / Manual / Semi-auto	
	FOV	Horizontal: 59.6°~3.5°	
	Min. Illumination	Color: 0.05Lux@ (F1.6, AGC ON) B/W: 0.01Lux@ (F1.6,AGC ON)	
	WDR	120dB	
	Day /Night	ICR Auto Conversion/Digital Color to B/W	
	DNR	3D NR	
PTZ	Pan Range	Pan: 360° Continuous Rotate	
	Pan Speed	Configurable, 0.1°~40°/s	
	Tilt Range	Tilt: -90°~+90°	
	Tilt Speed	Configurable, 0.1°~40°/s	
	Presets	256	
	Power Off Memory	yes	

<b>Network</b>	Protocols	IPv4/v6,HTTP,HTTPS,802.1x,QoS,FTP,SMTP,UPnP,SNMP,DNS,DDNS,NTP,RTSP,RTCP,RTP,TCP,UDP,IGMP,ICMP,DHCP
	Interoperability	ONVIF, GB28181, CGI
	Simultaneous live view	Up to 20 channels
	User Management	Up to 20users, 3 levels: Administrator, Operator and User
	Browser	IE
<b>Video</b>	Max. Resolution	2688×1520 (Visible) 1280×1024 (Thermal)
	Image Encoding Format	JPEG
	Audio Compression	G.711A/G.711Mu/PCM/AAC/MPEG2-Layer2
	Video Compression	H.264/H.265/MJPEG
	Main Stream (Visible)	50Hz:25fps(2688×1520, 1920×1080, 1280×720) 60Hz:30fps(2688×1520, 1920×1080, 1280×720)
	Main Stream (Thermal)	50Hz:25fps(1280×1024, 1024×768) 60Hz:30fps(1280×1024, 1024×768)
	Sub Stream (Visible)	50Hz:25fps(704×576, 352×288) 60Hz:30fps(704×480, 352×240)
Sub Stream (Thermal)	50Hz:25fps(640×512) 60Hz:30fps(640×512)	
<b>Temperature Measurement</b>	Measurement Range	-20℃~+550℃
	Measurement Accuracy	±2℃ or ±2%, the larger value shall prevail
	Measurement Analysis	Thermographic rules and linkage alarm such as global, spot, line, region
<b>Smart Function</b>	Fire Detection	Yes
	Zoom Linkage	yes
	Smart Record	Alarm trigger recording, disconnection trigger recording
	Smart Alarm	Support alarm trigger of network disconnection, IP address conflict, full memory, memory error, illegal access and burn
	Smart Detecting	Support smart video analysis such as tripwire intrusion and region intrusion
	Alarm Linkage	Recording/Capture/Sending mail/PTZ linkage/Alarm output

<b>System Interface</b>	Power Supply	AC85V~260V/DC24V 3A(optional)
	Communication	RJ45 self-adaptive 10M/100M Ethernet port

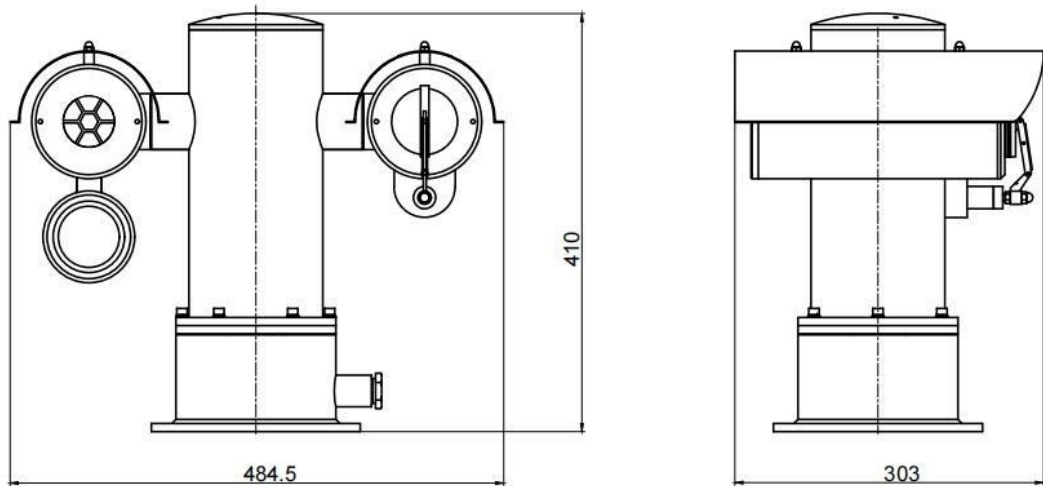
<b>Technical Index</b>		<b>RSPT464-T</b>
	Interface	
	Alarm Input	1 channel
	Alarm Output	1 channel
	Storage Interface	Support Micro SD card (Max.256G) ,hot swap
	RS485	1 channel, support Pelco protocol
<b>General</b>	Operating Conditions	-40℃~+60℃; <90%RH
	Encapsulation Rating	IP68
	Power Consumption	≤100W(thermostat start-up)
	Dimensions(mm)	436×296×406mm
	Weight	27KG
	Explosion Standard	Exd IIC T6 Gb/Ex tD A21 IP68 T80℃

## Effective Distance

The recommended distance of detecting, recognizing and identifying for man (1.8x0.5m) and vehicle (1.4x4.0m) are as follows:

Lens	DD (Vehicle)	DD (Man)	RD (Vehicle)	RD (Man)	ID (Vehicle)	ID (Man)
25mm	3194m	1042m	799m	260m	399m	130m

## Structural Drawings



Mounting Dimensions :

