



Dual-spectrum PTZ Network Camera Series

RPT6S4



Features

1. The latest Rhodium 12 μ m uncooled IR detector makes the images farther and clearer.
2. The high-definition digital camera and tele-lens make high-accuracy and long distance imaging possible for 24/7 monitoring.
3. High-speed and high accuracy PTZ, support 5 scanning styles and 17 scan tracks with speed memory.
4. The professional platform software supports intelligent infrared video analysis, which can satisfy the needs of forest fire prevention and smart fire fighting.

Camera Specifications

Models	RPT6S4
Thermal	
Sensor Type	VOx uncooled FPA detector
Spectral Range	8~14μm
NETD	≤40mK(@25°C,F#1.0,25Hz)
Max. Resolution	1280×1024
Pixel Pitch	12μm
Focal Length	30~150mm, 25~225mm
Focus Mode	Auto/Manual
FOV	28.7°×23.1°~5.9°×4.7° , 34.2°×27.6°~3.9°×3.1°
F number	F1.0~F1.2, F1.09~F1.5
Spatial Resolution	0.080~0.400mrad, 0.053~0.480mrad
Color Palette	18 modes selectable such as Blackhot/Whitehot/Rainbow,etc.
Visible	
Image Sensor	1/1.8inch 4MP CMOS
Max. Resolution	2688×1520
Focal Length	6~300mm 50xoptical zoom
Focus Mode	Auto / Manual / One-shot auto
FOV	Horizontal: 62° ~ 1.6°
Min. Illumination	Color: 0.005Lux/F1.4 B/W: 0.0005Lux/F1.4
WDR	Support
Day/Night	Manual/Auto
DNR	3D NR
PTZ	
Pan Range	Pan:360° Continuous Rotate
Pan Speed	Configurable: 0.01°~30°/s
Tilt Range	Tilt-90°~-+90°
Tilt Speed	Configurable: 0.01°~15°/s
Preset Accuracy	±0.01°

Presets	256
Patrol Scan	8, up to 255 presets per patrol
Pattern Scan	4
Linear Scan	4
Panorama Scan	1
3D Positioning	yes
Power Off Memory	yes
Tele Speed Setup	Speed adaptation to zoom ratio
Position Setup	support, configurable in horizontal/vertical
Privacy Mask	yes
Park	Preset/Pattern Scan/Patrol Scan/Linear Scan/Panorama Scan
Scheduled Task	Preset/Pattern Scan/Patrol Scan/Linear Scan/Panorama Scan
Anti-burn	yes
Remote Power-off Reboot	yes
Network	
Protocols	TCP/IP,UDP,ICMP,HTTP,HTTPS,FTP,DHCP,DNS,RTP,RTSP,RTCP,IGMP,SMTP,NTP,QoS
Interoperability	ONVIF, GB28181, SDK
Simultaneous live view	Up to 20 channels
User Management	Up to 20 users, 3 levels: Administrator, Operator and User
Browser	IE8+, multiple languages (at least Chinese and English)
Video	
Max. Resolution	2688x1520 (visible), 1280x1024 (thermal)
Image Encoding Format	JPEG
Audio Compression	G.711A/G.711Mu/PCM/AAC/MPEG2-Layer2
Video Compression	H.264/H.265/MJPEG

Main Stream	Visible : 50Hz:25fps(2688×1520), 25fps(1920×1080), 25fps(1280×720); 60Hz:30fps(2688×1520), 30fps(1920×1080), 30fps(1280×720); Thermal (1280×1024) : 50Hz:25fps(1280×1024); 60Hz:30fps(1280×1024);
Sub Stream	Visible : 50Hz:25fps(1280×720), 25fps(704×576); 60Hz:30fps(1280×720), 30fps(704×480); Thermal (1280×1024) : 50Hz:25fps(1280×1024);

	60Hz:30fps(1280×1024);
Smart Function	
Fire Detection	yes
Zoom Linkage	yes
Smart Record	Alarm trigger recording, disconnection trigger recording (continue transmission after connection)
Smart Alarm	Support alarm trigger of network disconnection, IP address conflict, full memory, memory error, illegal access and abnormal detection
Smart Detecting	Support smart video analysis such as line intrusion, cross-border, and region intrusion
Alarm Linkage	Recording/Capture/Sending mail/PTZ linkage/Alarm output
System Interface	
Power Supply	DC 48V
Communication Interface	RJ45 self-adaptive 10M / 100M Ethernet port
Audio Input	1 channel
Audio Output	1 channel
Video Output	1.0V[p-p] / 75Ω, PAL or NTSC, BNC head
Alarm Input	7 channels
Alarm Output	2 channels
Storage Interface	Support Micro SD card (Max. 256G), hot swap
RS485	1 channel, support Pelco protocols
General	
Operating Conditions	-40℃~+70℃ ; <90%RH

Protection Grade	IP66, TVS 6000V Lightning Protection, Surge Protection and Voltage Transient Protection Conform to GB/T17626.5 Grade-4 Standard
Power Protection	support protection on overvoltage, undervoltage and reverse connection
Power Consumption	200W
Dimensions (mm)	746x 748x 437mm (WxH xL)
Weight	42KG

Operating Distance

The recommended distance of detecting, recognizing and identifying for human (1.8x0.5m) and vehicles (1.4x4.0m) are as follows:

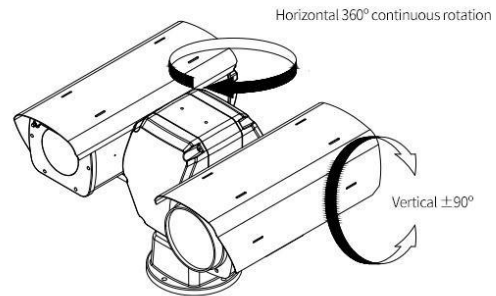
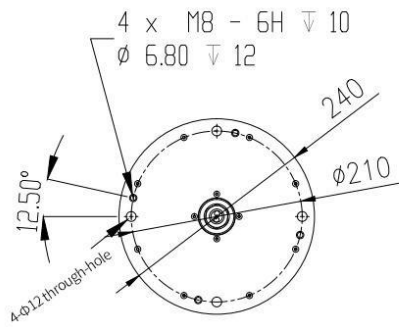
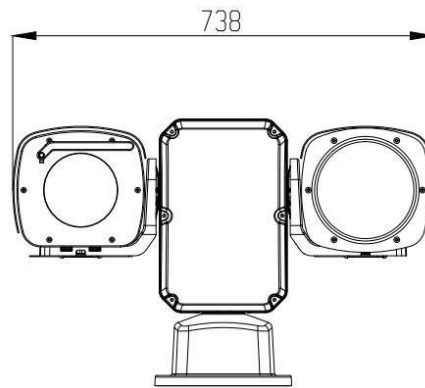
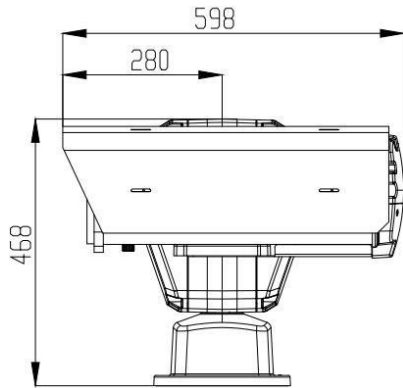
DD stands for Detecting Distance;

RD stands for Recognizing Distance;

ID stands for Identifying Distance;














Lens	DD (Vehicle)	DD (Human)	RD (Vehicle)	RD (Human)	ID (Vehicle)	ID (Human)
25mm	3.2km	1.0km	0.8km	0.3km	0.4km	0.1km
30mm	3.8km	1.3km	1.0km	0.3km	0.5km	0.2km
150mm	19.2km	6.3km	4.8km	1.6km	2.4km	0.8km
225mm	28.8km	9.4km	7.2km	2.3km	3.6km	1.2km

Camera Structure & Dimensions



The rotation radius is about 470mm

Packing List

No.	Name	Qty	Notes
1	PT	1	
	H5 Allen wrench	1	
	binding post	1	
	waterproof casing for network cable	1	
	lifting bolt	2	
	M6*25 screws (with flat washer and spring washer)	16	
	M4*16 thumb screw (with seal ring)	10	
	M4*20 thread-off proof screw (with flat washer, spring washer, seal ring and lifting post)	12	
wiring cover board	2		
2	protective cover for visible light	1	
	sun-shield cover	1	
3	protective cover for thermal imaging	1	
	sun-shield cover	1	
4	power	1	